

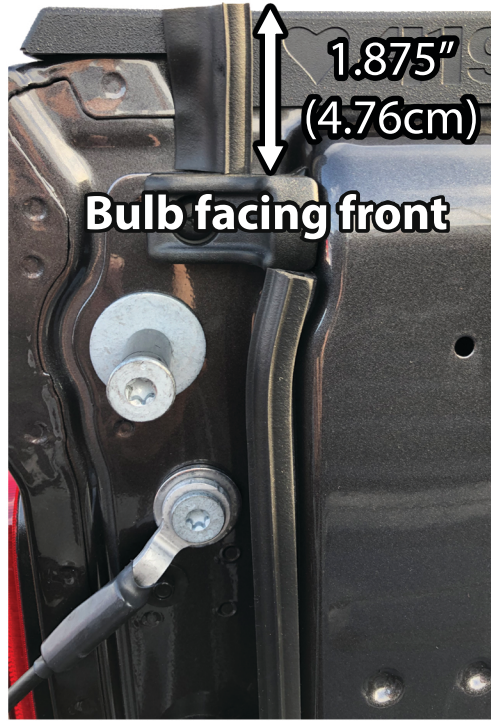
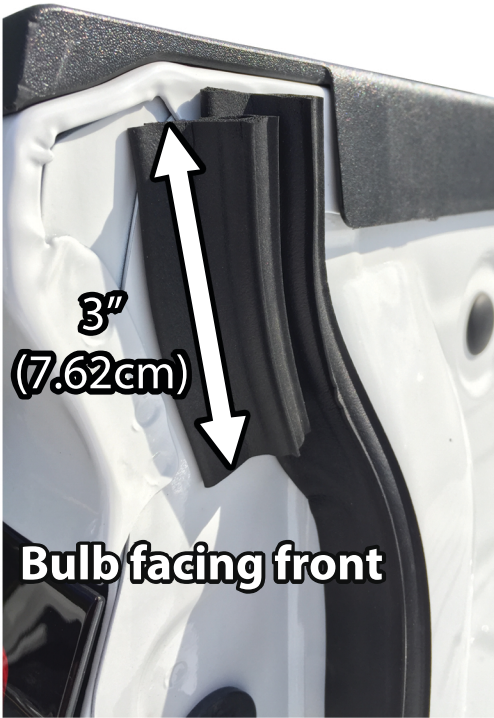
Common Cut Piece Positions

Pictured below are common positions using smaller cut pieces of Standard Tailgate Seal with Taper Seal®.

Substitute Large Tailgate Seal for Standard as needed for larger gaps.



3 most common positions for top of sidewalls

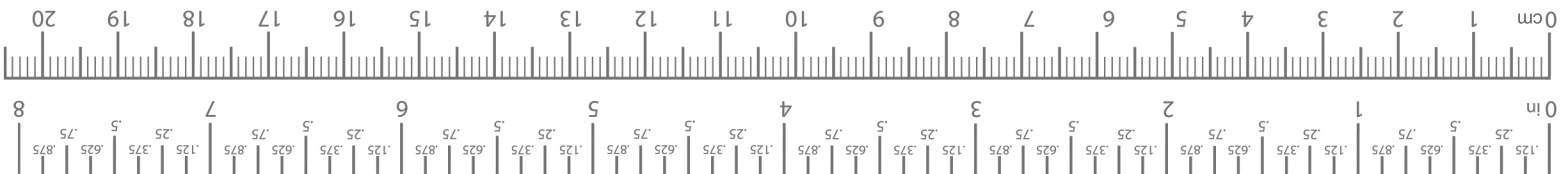


This product requires 25lbs. of pressure to bond adhesive.



ExtrudedSolutions.com
TailgateSeal.com
ROKBLOCK.com

Taper Seal® is a registered trademark of Extruded Solutions, Inc.
Patent No.: US 10,099,544 REV: 6/19/26



3 most common positions for lower inside of tailgate



3 most common positions for top of tailgate

